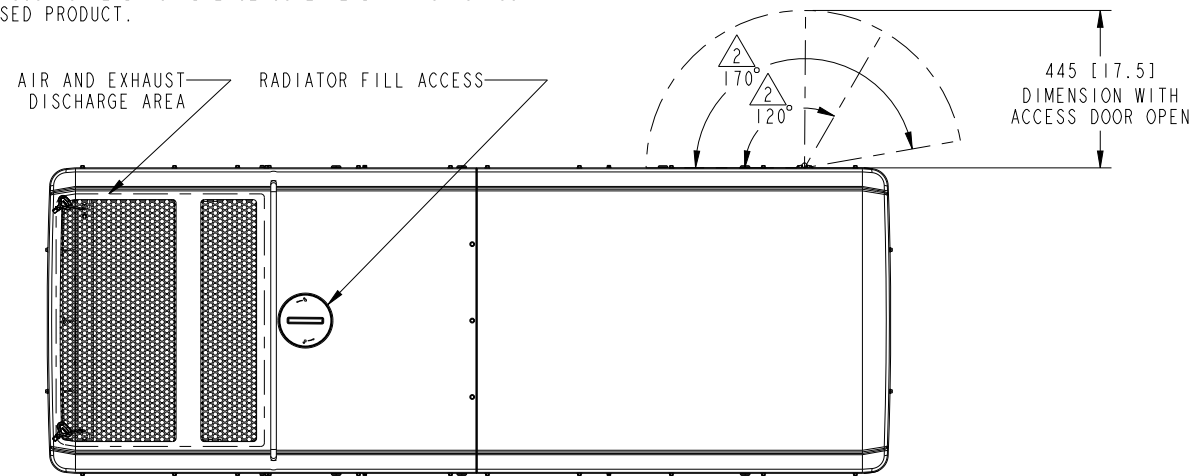


REL NO	LTR	NO	REVISION	DWN	CKD	APVD	DATE
ECO-178681	E	1	ZONE A4; F231-2 AND F216-2... CONFIGURATIONS WAS F231-2...	--	--	--	--
			CONFIGURATION	PPP	KAM	WINGFIELD	09 JUL 18
		2	UPDATE VIEWS PICTORIALLY	PPP	KAM	WINGFIELD	09 JUL 18

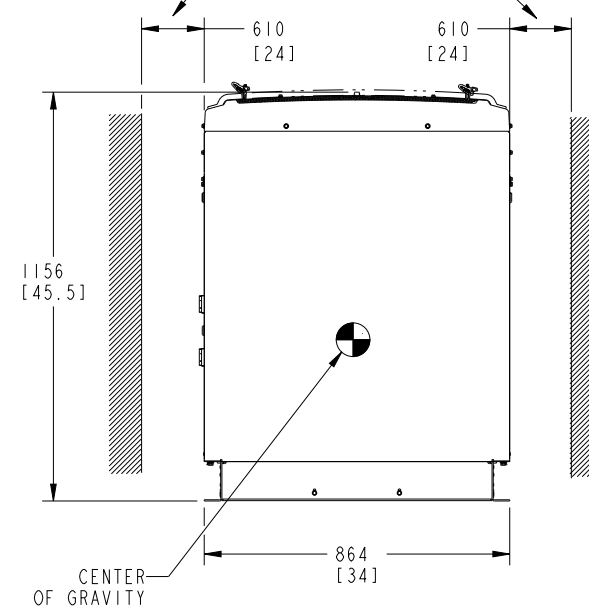
NOTES:

1. DIM [ ] IN INCHES
2. 120° AND 170° ARE DETENTED OPEN ANGLE FOR HINGE.
3. WHEN THE HOUSING INSTALLED ON AN OPEN GENERATOR SET, THE TOTAL WEIGHT WILL INCREASE BY 98 KG (216 LBS). THIS INCLUDES THE MUFFLER.
4. THE CENTER OF GRAVITY (CG) OF THE GENERATOR SET WHEN EQUIPPED WITH THIS HOUSING SHIFTS APPROXIMATELY 8MM (0.31 INCH) TOWARDS THE AIR DISCHARGE END OF THE HOUSING AND 38MM (1.5 INCH) HIGHER FROM THE GROUND. COMPARED TO THE EQUIVALENT NON-HOUSED PRODUCT WITH THE F179 SKID. SEE HOUSING READY SKID BASE OUTLINE DRAWING FOR CG LOCATION OF NON HOUSED PRODUCT.

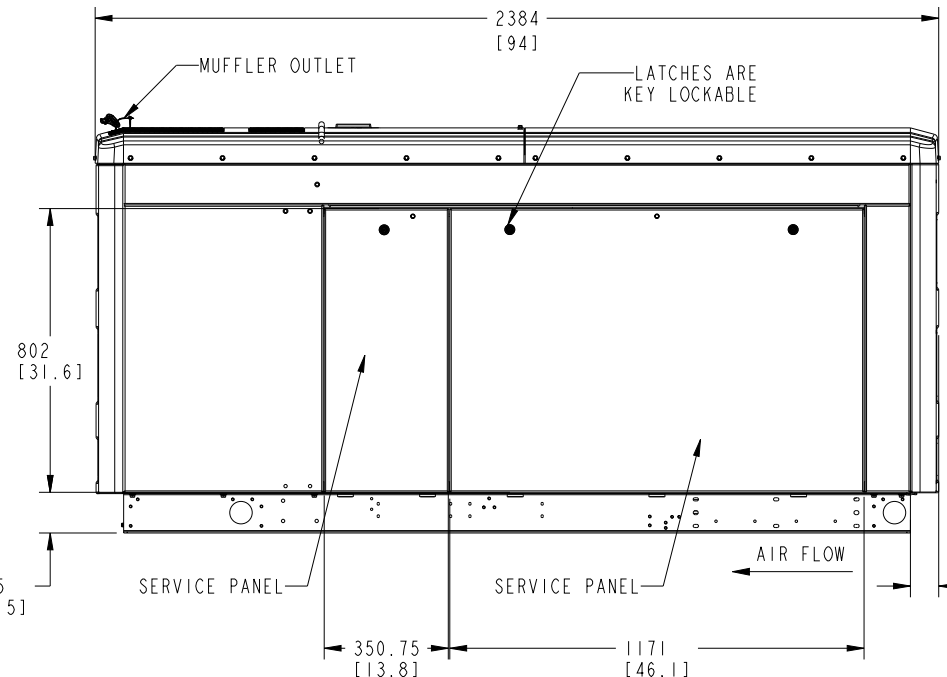


TOP VIEW

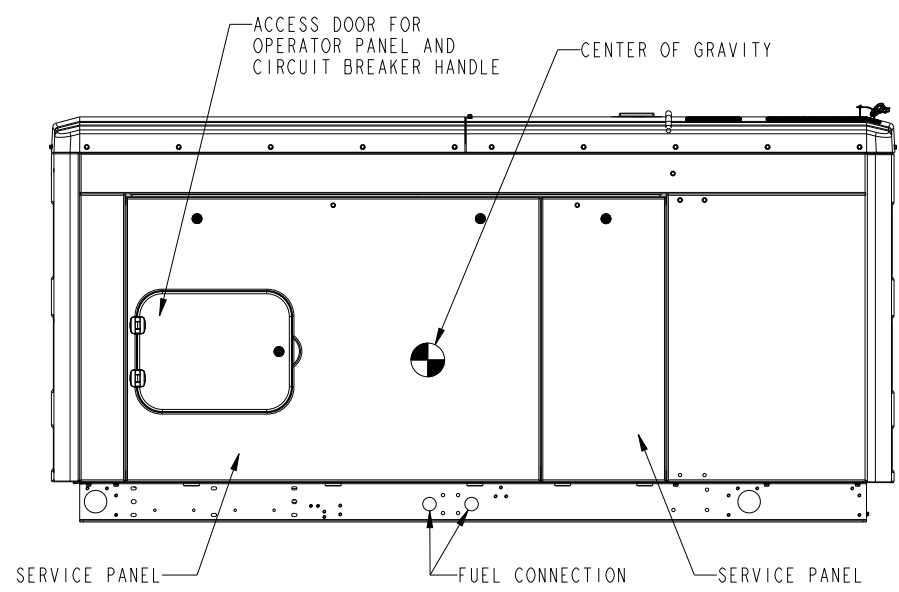
DISTANCE REQUIRED TO LIFT OFF SERVICE PANELS



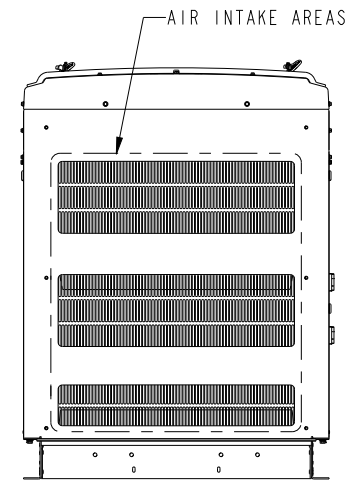
OUTLET VIEW



LEFT SIDE VIEW



RIGHT SIDE VIEW

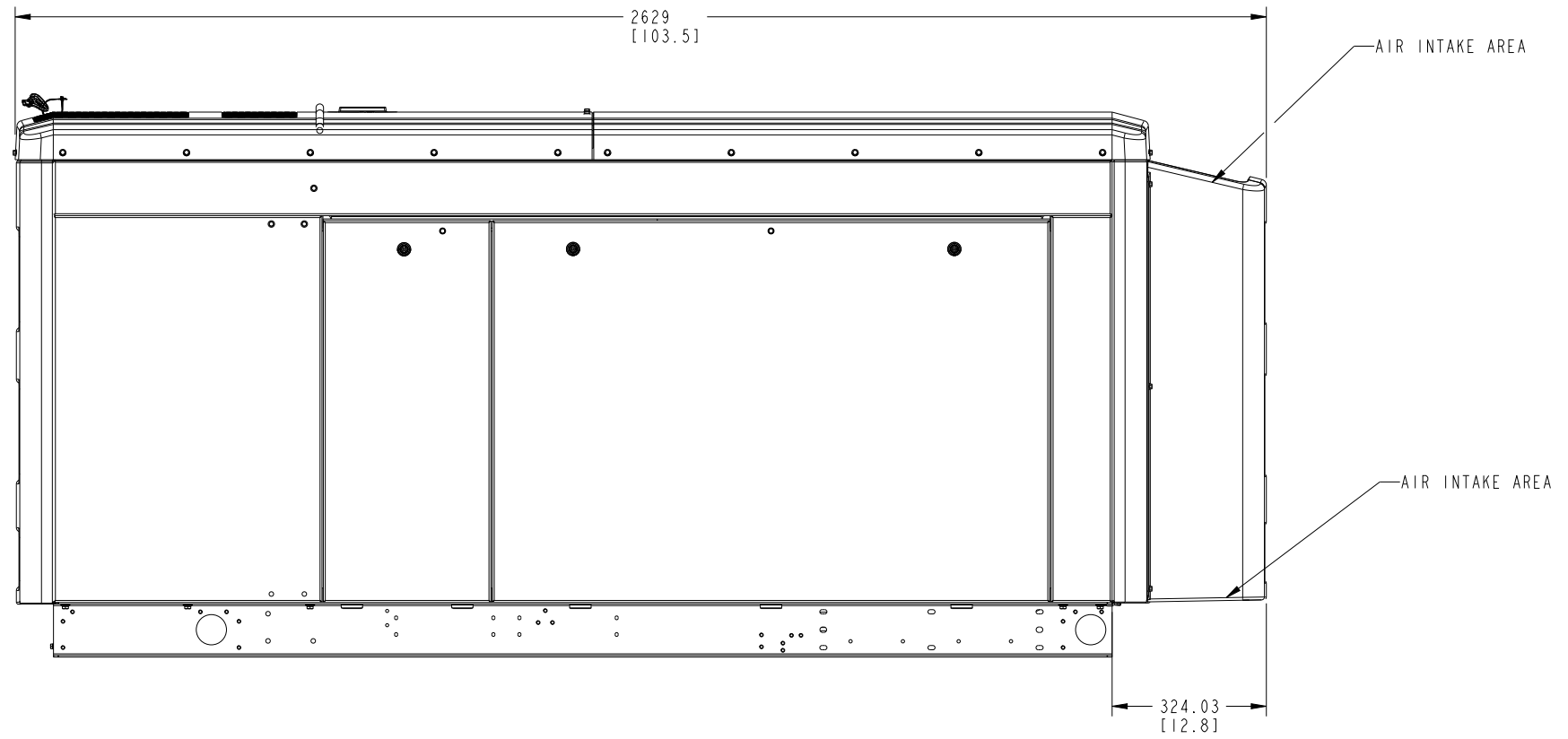
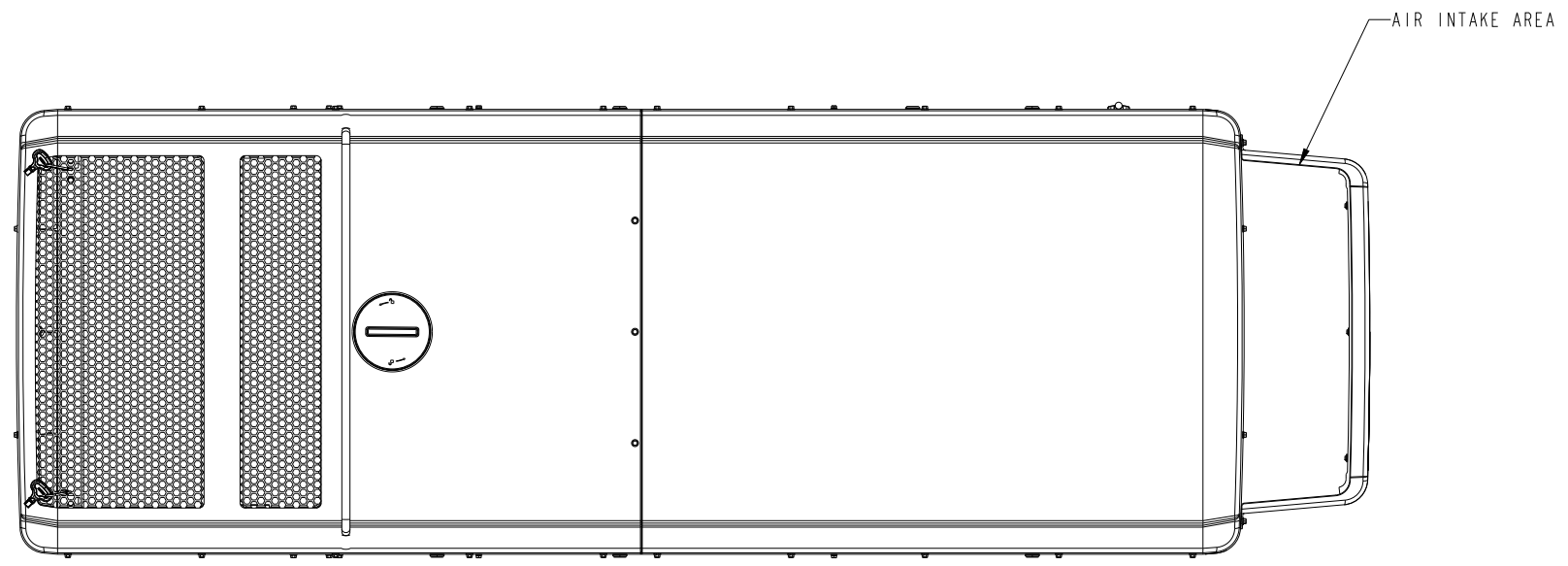


INLET VIEW

F231-2 AND F216-2 ENCLOSURE CONFIGURATIONS

UNLESS OTHERWISE SPECIFIED, ALL DIMENSIONS ARE IN MILLIMETERS		SH TO NONE	DWN S_GAMBHIRE		CUMMINS POWER GENERATION	
DO NOT SCALE PRINT			CKD T_RADKE		OUTLINE, ENCLOSURE	
DIM	TOLERANCE		APVD J_MATTHEWS	SITE CODE	PGF	
X ± 1	0.00- 4.99 +0.15/-0.08		DATE 17 JAN 13			
.X ± 0.8	5.00- 9.99 +0.20/-0.10					
.XX ± 0.38	10.00-17.49 +0.25/-0.13 17.50-24.99 +0.30/-0.13					
ANG TOL: ± 0.5°	SCALE: 1/10					

REL NO	LTR	NO	REVISION	DWN	CKD	APVD	DATE
ECO-178681	E	-	---	AM	RN	M.WINGFIELD	09 JUL 18



### F217-2 ENCLOSURE CONFIGURATION

REFER TO PAGE 1 (F231-2 ENCLOSURE) FOR OTHER F217-2 ENCLOSURE DIMENSIONS.

UNLESS OTHERWISE SPECIFIED, ALL DIMENSIONS ARE IN MILLIMETERS		SIN TO NONE		DWN S_GAMBHIRE			CUMMINS POWER GENERATION																				
DO NOT SCALE PRINT				CKD T_RADKE			OUTLINE, ENCLOSURE																				
<table border="1"> <tr> <th>DIM</th> <th>TOLERANCE</th> <th>MIN</th> <th>MAX</th> </tr> <tr> <td>X ± 1</td> <td></td> <td>0.00 - 4.99</td> <td>+0.15/-0.08</td> </tr> <tr> <td>.X ± 0.8</td> <td></td> <td>5.00 - 9.99</td> <td>+0.20/-0.10</td> </tr> <tr> <td>.XX ± 0.38</td> <td></td> <td>10.00 - 17.49</td> <td>+0.25/-0.13</td> </tr> <tr> <td></td> <td></td> <td>17.50 - 24.99</td> <td>+0.30/-0.13</td> </tr> </table>		DIM	TOLERANCE	MIN	MAX	X ± 1		0.00 - 4.99	+0.15/-0.08	.X ± 0.8		5.00 - 9.99	+0.20/-0.10	.XX ± 0.38		10.00 - 17.49	+0.25/-0.13			17.50 - 24.99	+0.30/-0.13	DATE 17 JAN 13		SITE CODE			
DIM	TOLERANCE	MIN	MAX																								
X ± 1		0.00 - 4.99	+0.15/-0.08																								
.X ± 0.8		5.00 - 9.99	+0.20/-0.10																								
.XX ± 0.38		10.00 - 17.49	+0.25/-0.13																								
		17.50 - 24.99	+0.30/-0.13																								
ANG TOL: ± 0.5°		SCALE: 1/10		- CONFIDENTIAL - PROPERTY OF CUMMINS POWER GENERATION GROUP		FOR INTERPRETATION OF DIMENSIONS AND TOLERANCING, SEE ASME Y14.5M-1994																					
				FIRST USED ON ARROW		PGF																					
				DWN		A043J729																					
				SHEET		2 of 2																					
				REV		E																					

**Part A043J729 E**

Description	Legacy Name	External Regulations	Application Status	Release Phase Code	Security Classification	Alternates
OUTLINE,ENCLOSURE	A043J729	No External Regulations Apply	Production Only	Production	Internal Use Only	

**Part Specifications :A043J729 E**

Name	Description	Legacy Name
A030B356	SPECIFICATION,MATERIAL	CES10903
A043J730	DRAWING,ENGINEERING	A043J730